

Buzzer

KPL-BZ Series



Part Number Description



KPL - BZ 1 2 3

1 Sound Type	I : Interrupted	C : Continued		
2 Color	R : Red	G : Green		
3 Supply Voltage	12VAC/DC	24VAC/DC	110VAC/DC	220VAC

General Specification

Current Consumption	20mA
Insulation Resistance	100MΩ min.(at 500VDC)
Life Cycle	50,000 hrs
Sound Type	Interrupted, Continued
Maximum Sound Levels	80Phone (dB)
Weight	24g
Ambient Temperature	-25°C - +55°C (with no icing)
Tightening Torque	0.8N·m (8.16kg·cm)

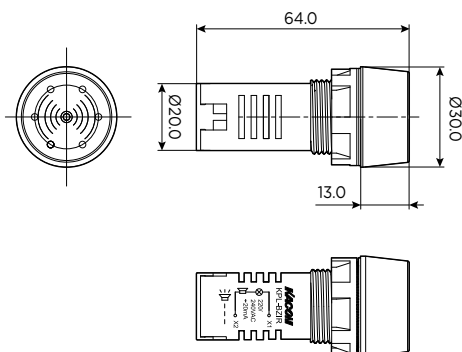
Product Selection

Description	Color	Part Number	Supply Voltage	Description	Color	Part Number	Supply Voltage
Illuminated Interrupted Sound Buzzer 	Red	KPL-BZIR	12VAC/DC	Illuminated Continued Sound Buzzer 	Red	KPL-BZCR	12VAC/DC
			24VAC/DC				24VAC/DC
			110VAC/DC				110VAC/DC
	Green	KPL-BZIG	220VAC		Green	KPL-BZCG	220VAC

Dimensions

Unit : mm

Exterior Dimension



Panel Cut out

