

# PROXIMITY SENSORS

## KPX SERIES

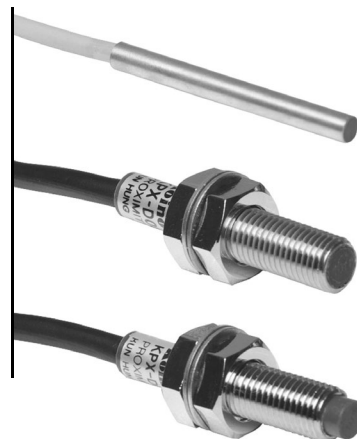
### OVERVIEW

Standard sensors for detecting  
metals small diameter ( $\varnothing 4\text{mm}$ ,  $\varnothing 8\text{mm}$ )  
IP-Rating : IP67

KPX-D04-X8 E M  
(SHIELDED)

KPX-D08-01 E M  
(SHIELDED)

KPX-D08-01 E M  
(UNSHIELDED)



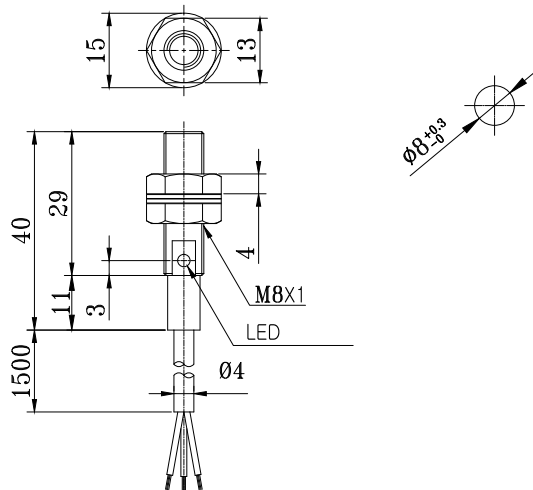
### Specification

Model		KPX-D04-X8 E M	KPX-D08-01 E M	KPX-D08-02 E MN
Sensing distance		0.8mm $\pm$ 15%	1.0mm $\pm$ 15%	2.0mm $\pm$ 15%
Set distance		0~0.5mm	0~0.7mm	0~1.6mm
Differential travel		Max. 15%	Max. 10%	
Detectable object		Ferrous metal		
Standard sensing object		Iron, 5X5X1mm	Iron, 8X8X1mm	
Response frequency		1KHz	1KHz	800Hz
Power supply voltage		12~24 VDC(10~30 VDC)		
Control output	Load current	80mA max.	100mA max.	
	Residual voltage	2.0V max.		
Indicator		None	Operation indicator(red LED)	
Operating mode		NPN NO	NPN NO, PNP NO	
Ambient temperature	operating	- 15 ° C~+55 ° C		
	storage	-30 ° C~+80 ° C		
Ambient humidity		35~95%RH		
Insulation resistance		Minimum 50M (500VDC)		
Dielectric strength		500VAC for 1min.	1,000VAC for 1min.	
Vibration resistance		10~55Hz double amplitude 1.5mm (at X, Y and Z axis) for 2hrs		
Shock resistance		50G		
Degree of protection		IP67		
Connection method		Pre-wired (2M wire)		
Weight		21g	46g	
Materials	Case	Stainless steel	Chrome plated brass	
	Sensing surface	PP (blue)	PP (blue)	

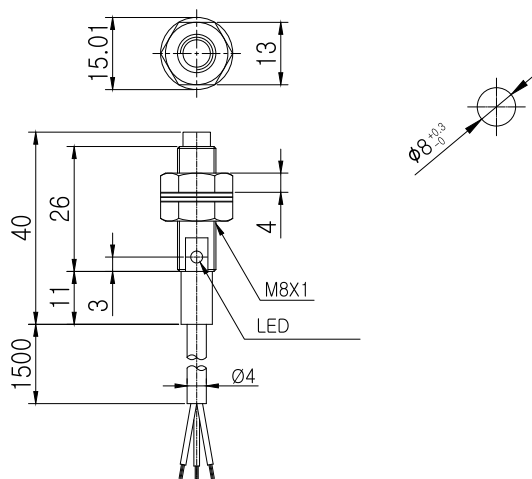
# PROXIMITY SENSORS

## Dimension

KPX-D08-01 E M (SHIELDED)



KPX-D08-02E MN (UNSHIELDED)



KPX-D04-X8 E M (SHIELDED)

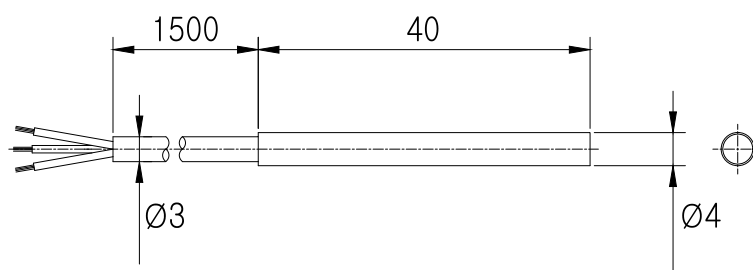


PHOTO SENSOR

PROXIMITY SENSOR

WATER LEVEL CONTROLLER

PID TEMP. CONTROLLER